

2153476-1

Copper Cable, category 6A, 2x4 pair, F/FTP, LSZH, 23 AWG, 500 m, white

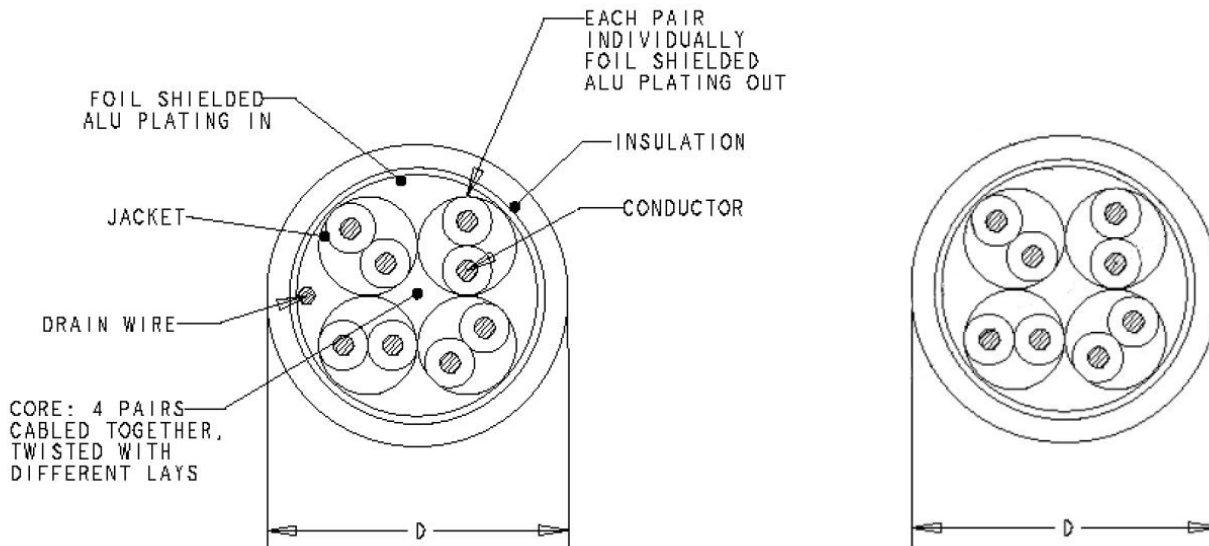
## Product Classification

Portfolio	NETCONNECT®
Product Type	Twisted pair cable
Regional Availability	EMEA

## Standards And Qualifications

EN50575 CPR Cable EuroClass	Dca   s2   d1   a1
-----------------------------	--------------------

## Cross Section Drawing



## Construction Materials

Jacket Material	Low Smoke Zero Halogen (LSZH)
Conductor Material	Bare copper
Insulation Material	Polyolefin
Shield (Tape) Material	Aluminum/Polyester

## Dimensions

Cable Length	500 m   1640 ft
--------------	-----------------

2153290-2

Cable Weight	48.50 kg/km
Diameter Over Jacket	7.000 mm   0.276 in

## Electrical Specifications

ANSI/TIA Category	6A
Nominal Velocity of Propagation (NVP)	79 %
Transmission Standards	ANSI/TIA-568-C.2   CENELEC EN 50288-6-1   ISO/IEC 11801 Class E

## Environmental Specifications

Operating Temperature	-20 °C to +60 °C (-4 °F to +140 °F)
-----------------------	-------------------------------------

## General Specifications

Cable Type	F/FTP (shielded)
Packaging Type	Reel
Pairs, quantity	8
Cable Component Type	Horizontal
Jacket Color	White
Brand	NETCONNECT®
Conductor Gauge, singles	23 AWG
Conductor Type, singles	Solid

## Regulatory Compliance/Certifications

Agency	Classification
RoHS 2011/65/EU	Compliant
CENELEC	EN 50575 compliant, Declaration of Performance (DoP) available